

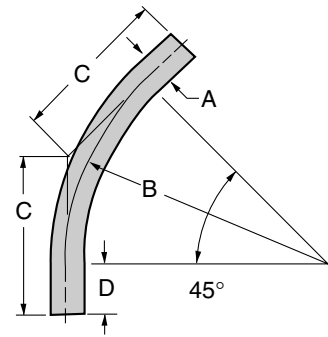
Morris Vacuum Products

Long-Radius Bends

45° On 30" Center Line – straight ends only in stock*

Part No.	Size	A-o.d.	Gauge	B	C	D
M30-3045	3"	3"	16	30"	18 ⁷ / ₁₆ "	6"
M30-3535	3 ¹ / ₂ "	3 ¹ / ₂ "	16	30"	19 ⁷ / ₁₆ "	7"
M30-4045	4"	4"	16	30"	20 ⁷ / ₁₆ "	8"
M30-5045	5"	5"	14	30"	22 ⁷ / ₁₆ "	10"
M30-6045	6"	6"	14	30"	24 ⁷ / ₁₆ "	12"

WHEN ORDERING, SPECIFY TYPE OF MATERIAL: Carbon Steel, Zinc Galv. Coated Steel, Stainless Steel, Aluminum

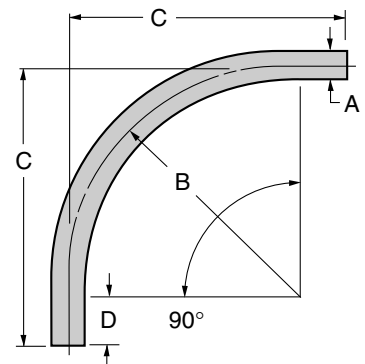


Long-Radius Bends

90° On 30" Center Line – straight ends only in stock*

Part No.	Size	A-o.d.	Gauge	B	C	D
M30-3090	3"	3"	16	30"	36"	6"
M30-3590	3 ¹ / ₂ "	3 ¹ / ₂ "	16	30"	37"	7"
M30-4090	4"	4"	16	30"	38"	8"
M30-5090	5"	5"	14	30"	40"	10"
M30-6090	6"	6"	14	30"	42"	12"

WHEN ORDERING, SPECIFY TYPE OF MATERIAL: Carbon Steel, Zinc Galv. Coated Steel, Stainless Steel, Aluminum

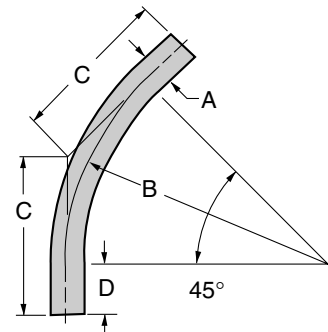


Long-Radius Bends

45° On 36" Center Line – straight ends only in stock*

Part No.	Size	A-o.d.	Gauge	B	C	D
M36-2145	2 ¹ / ₈ "	2 ¹ / ₈ "	16	36"	20 ²⁹ / ₃₂ "	6"
M36-2545	2 ¹ / ₂ "	2 ¹ / ₂ "	16	36"	19 ²⁹ / ₃₂ "	5"

WHEN ORDERING, SPECIFY TYPE OF MATERIAL: Carbon Steel, Zinc Galv. Coated Steel, Stainless Steel, Aluminum



* Bell Ends through 6" available on request.

Many other sizes, center-line radii, and degrees of long-radius bends also available.

For different gauge material, consult customer service.

For Prices and Delivery

Call Toll Free: 1-800-426-1579

Toll-Free Fax: 1-800-545-1399

E-mail: sales@morriscoupling.com

internet: www.morriscoupling.com

All dimensions are nominal.



2240 W. 15th St., Erie, PA 16505
Phone: 814-459-1741

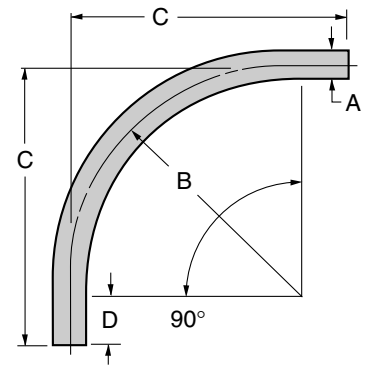
Morris Vacuum Products

Long-Radius Bends

90° On 36" Center Line – *straight ends only in stock**

Part No.	Size	A–o.d.	Gauge	B	C	D
M36-2190	2 1/8"	2 1/8"	16	36"	42"	6"
M36-2590	2 1/2"	2 1/2"	16	36"	41"	5"

WHEN ORDERING, SPECIFY TYPE OF MATERIAL: Carbon Steel, Zinc Galv. Coated Steel, Stainless Steel, Aluminum

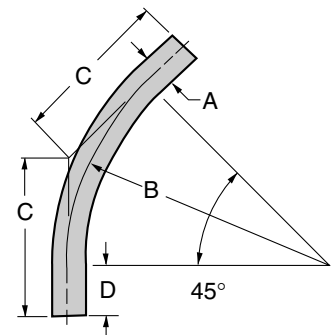


Long-Radius Bends

45° On 48" Center Line – *straight ends only in stock**

Part No.	Size	A–o.d.	Gauge	B	C	D
M48-3045	3"	3"	16	48"	25 7/8"	6"
M48-3535	3 1/2"	3 1/2"	16	48"	26 7/8"	7"
M48-4045	4"	4"	16	48"	27 7/8"	8"
M48-5045	5"	5"	14	48"	29 7/8"	10"
M48-6045	6"	6"	14	48"	31 7/8"	12"
M48-8045	8"	8"	11	48"	35 7/8"	16"

WHEN ORDERING, SPECIFY TYPE OF MATERIAL: Carbon Steel, Zinc Galv. Coated Steel, Stainless Steel, Aluminum

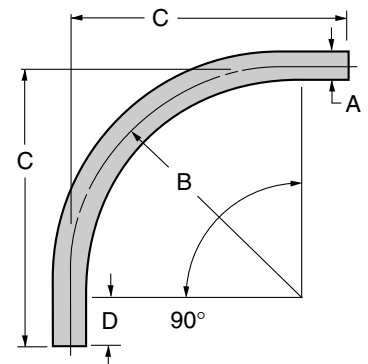


Long-Radius Bends

90° On 48" Center Line – *straight ends only in stock**

Part No.	Size	A–o.d.	Gauge	B	C	D
M48-3090	3"	3"	16	48"	54"	6"
M48-3590	3 1/2"	3 1/2"	16	48"	55"	7"
M48-4090	4"	4"	16	48"	56"	8"
M48-5090	5"	5"	14	48"	58"	10"
M48-6090	6"	6"	14	48"	60"	12"
M48-8090	8"	8"	11	48"	64"	16"

WHEN ORDERING, SPECIFY TYPE OF MATERIAL: Carbon Steel, Zinc Galv. Coated Steel, Stainless Steel, Aluminum



* Bell Ends through 6" available on request.

Many other sizes, center-line radii, and degrees of long-radius bends also available.

For different gauge material, consult customer service.

For Prices and Delivery

Call Toll Free: 1-800-426-1579

Toll-Free Fax: 1-800-545-1399

E-mail: sales@morriscoupling.com

internet: www.morriscoupling.com

All dimensions are nominal.



2240 W. 15th St., Erie, PA 16505
Phone: 814-459-1741